



# MARINETECH PRODUCTS, INC.

651-486-2010 info@marinotechproducts.com

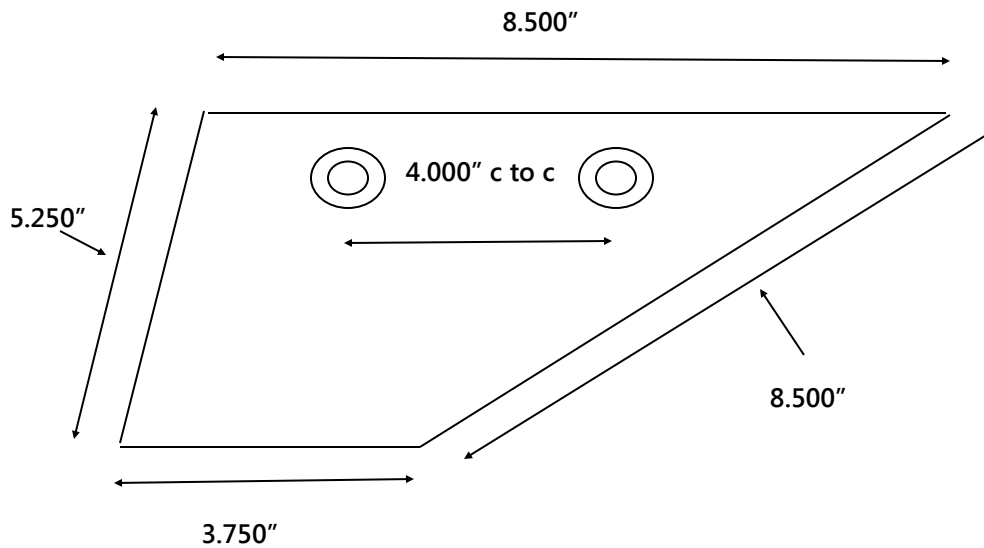
## Safe-Skeg

Model 35-SS700

Yamaha 60-70-80-90-100, 2 and 4-stroke, 2002-present



### DIMENSIONS



Made of 316 Marine Grade SS  
1.5mm material thickness

Typical thickness of skeg  
.625"

REV 1/16