



# MARINETECH PRODUCTS, INC.

651-486-2010 info@marinotechproducts.com



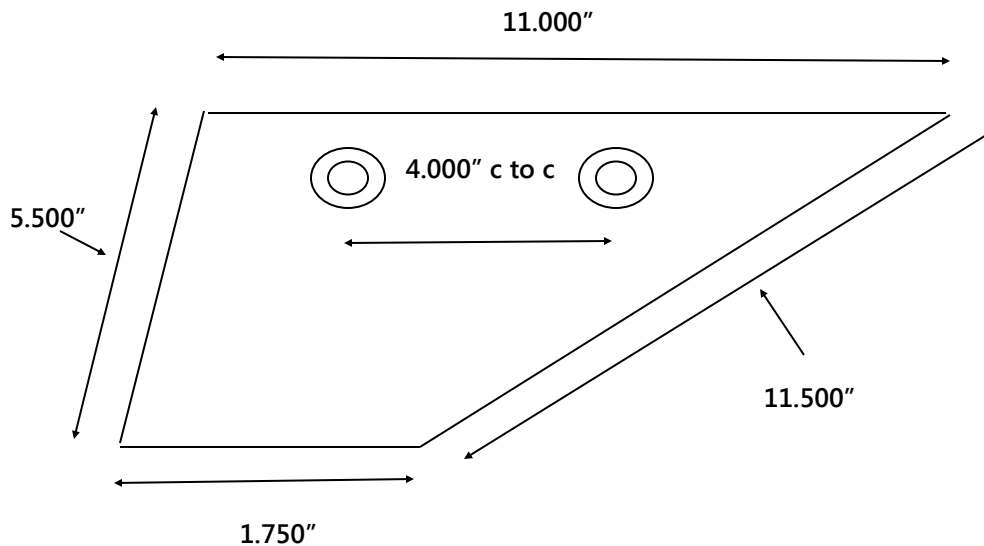
## Safe-Skeg MODEL 35-SS675

Evinrude/Johnson 75-90 HP, 2-stroke [E-TEC], 220-2008

Evinrude/Johnson 100-115 HP, 2-stroke, 2003-2005

Evinrude/Johnson 115 HP, DBX, DCX, DPX [E-TEC], 2 stroke, 2006-2008

### DIMENSIONS



Made of 316 Marine Grade Stainless Steel  
Thickness: 1.5 mm

Typical thickness of skeg  
.625"

REV 1/16