



**MARINETECH
PRODUCTS, INC.**

651-486-2010 info@marinotechproducts.com

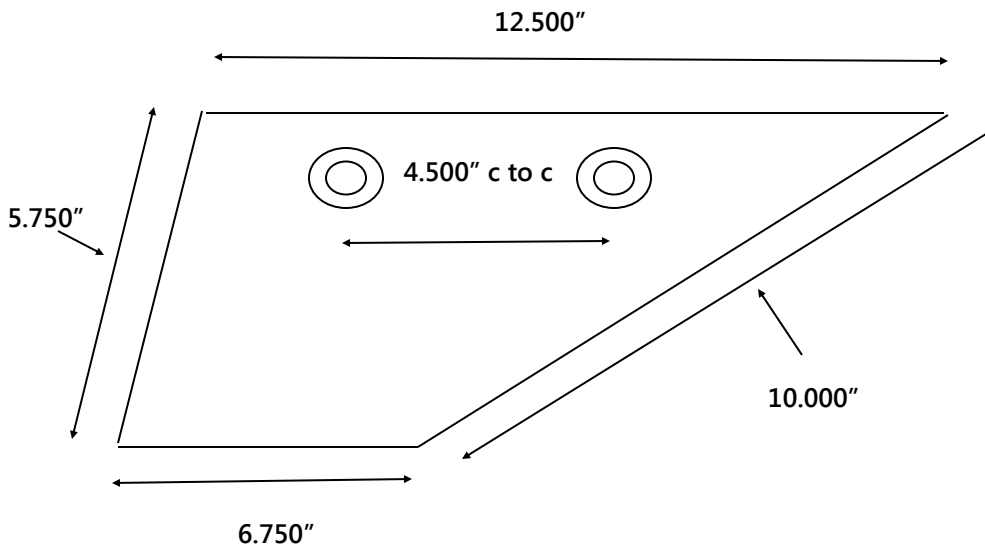


Safe-Skeg

MODEL 35-SS670

Evinrude/Johnson 150 DCX and DPX [E-TEC], 2-stroke, 2004-present
Evinrude/Johnson 175-200 DCX and DPX [E-TEC] 2-stroke, 2004-present
Evinrude/Johnson 225-250 DPL BLUE [E-TEC], 2-stroke, 2004-present

DIMENSIONS



Made of 316 Marine Grade Stainless Steel
Thickness: 1.5 mm

Typical thickness of skeg
.625"

REV 1/16