



MARINETECH PRODUCTS, INC.

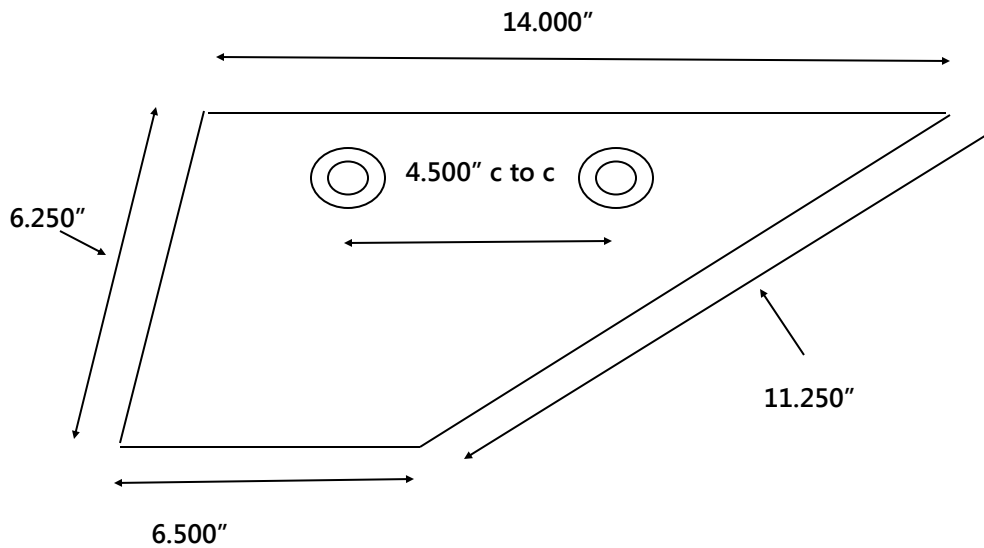
651-486-2010 info@marinotechproducts.com



Safe-Skeg MODEL 35-SS615

MerCruiser I/O Bravo 1 & 3 Drives, 1990-present

DIMENSIONS



Made of 316 Marine Grade Stainless Steel
Thickness: 1.5 mm

Typical thickness of skeg
.625"

REV 1/16